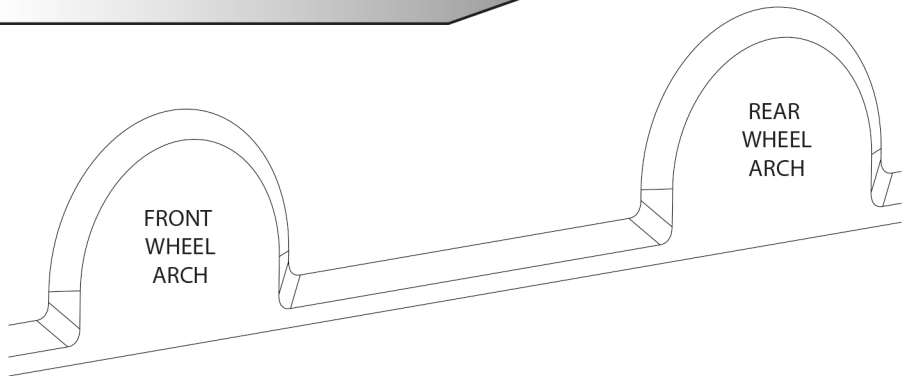


U4806 Touring Car Wheel Arch Cutting Jig

The wheel arch jig ensures accurate and repeatable cutting out of wheel arches on 1/10 touring car bodies.

Mi5 **EVO**
race winning innovation



Please take notice of the jig orientation

1. Set your car at a typical ride height and position the body shell to your desired height.
2. Place the wheel arch template flush against the outside of the bodyshell and find the centre of the wheel axle using the hole in the tool.
3. While maintaining this position, draw around the inside of the tool using a permanent marker.
4. Carefully cut around the drawn curve.

