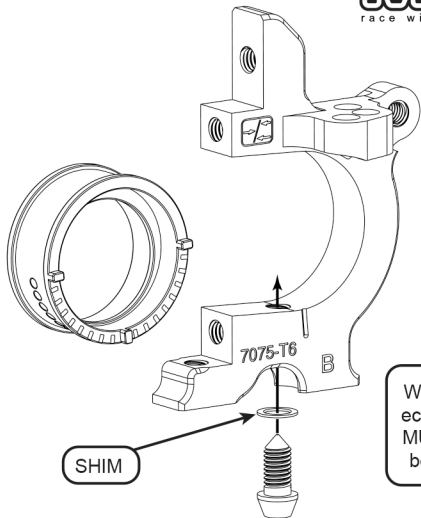


U4610 - Alloy Eccentrics - Mi5evo

Mi5 EVO
race winning innovation



When using alloy eccentrics, shim's MUST be fitted to both timing pins.

S1358