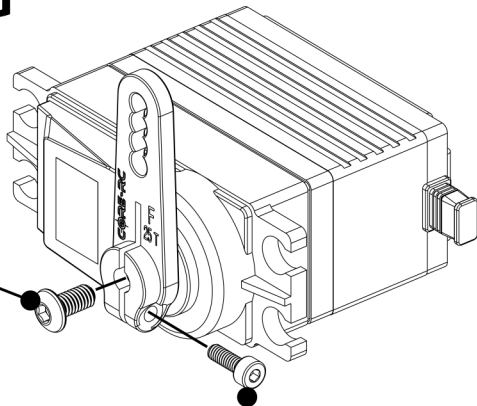


WARNING

USE THIS SCREW FOR FIXING
THE ARM TO THE SERVO



USE THIS SCREW FOR ADJUSTING THE FIT OF THE SPLINES
DO NOT OVERTIGHTEN.
IF YOU USE THIS TO CLAMP THE ARM TO
THE SERVO THEN THE THREADS MAY STRIP