

COUGAR^{SV}

Takes 2wd to the next Level

Instruction Manual v1.0

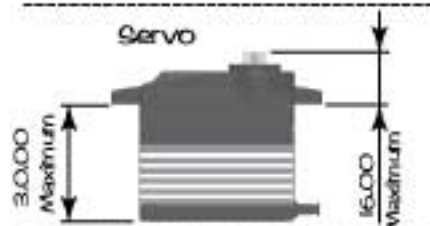


Schumacher Racing
73 Tenter Road
Moulton Park
Northampton
NN3 6AX
ENGLAND
WWW.racing-cars.com

Additional Items Required

Transmitter and Receiver Including batteries for tx

CR39
CODE 2.4G 2 Stick 3Ch Tx+Rx
CR39
CODE 2.4G 2 Stick 3Ch Receiver ONLY



Electronic Speed Control



Li-Po Battery

Maximum 25.10mm High



Motor

Pinion Gear



Paint

Shock Oil SuperGlue

Tires and Inserts



Tools



5.5 A/F Combination Wrench



Long nose Pliers



HiVLO Wiha Precision
Circclip Pliers



CR044 Curved Body Scissors



U2789 Hex Driver - 1.5mm
U2790 Hex Driver - 2.0mm
U2791 Hex Driver - 2.5mm



U2795 M3 Nut Driver
U2796 M4 Nut Driver



ED90009 Tumbuckle Wrench 4mm



Soldering Iron

U3107 - Solder

COUGAR^{SV}
Take 2nd to the next Level

Schumacher Racing stocks and distributes the following manufacturers products and full product listings are available on our website at www.racing-cars.com.

PLEASE NOTE THAT SOME OF THE PRODUCT RANGES BELOW ARE ONLY AVAILABLE IN THE UNITED KINGDOM.

CORE-RC
COM

NISRAM

Speed Passion
RC Technology Revolution

GM

Wiha

East Coast Bodies Tune

SOREX

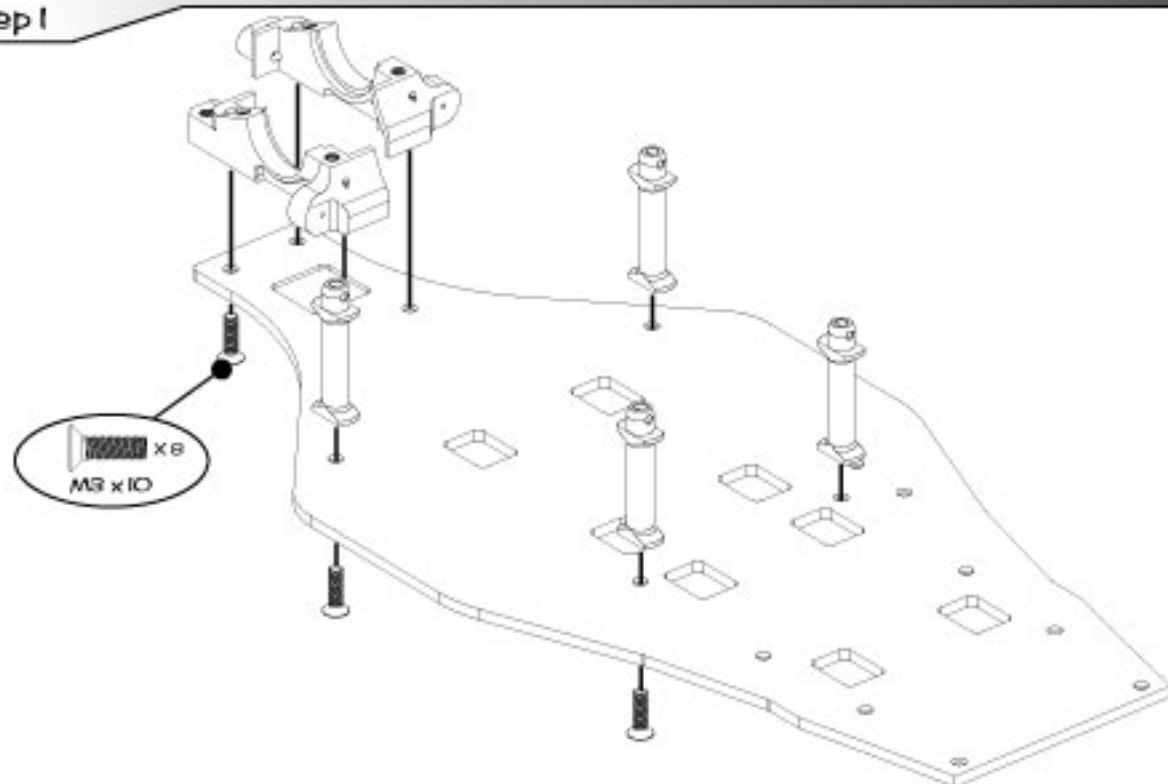
EDS
Specialised RC Tools

TRIX TOOLS
Professional precision tools by Trix

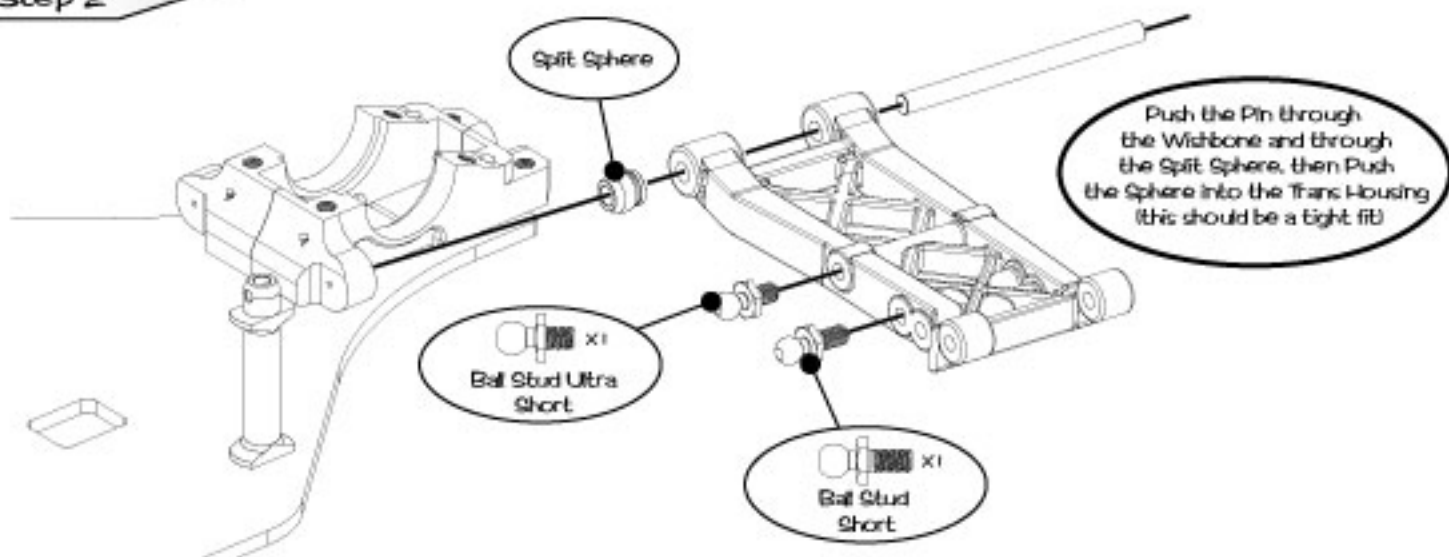
IMPORTANT SAFETY NOTES

- This product is not suitable for children under the age of 14, without the direct supervision of an adult.
- Select an area for assembly that is away from the reach of small children. The parts in this kit are small and can be swallowed by children causing choking and possible internal injuries.
- Exercise care when using hand tools and sharp instruments during assembly.
- Carefully read all manufacturers warnings and cautions for any additional parts used in the construction.
- In line with our policy of continuous development the exact details of the kit may vary.

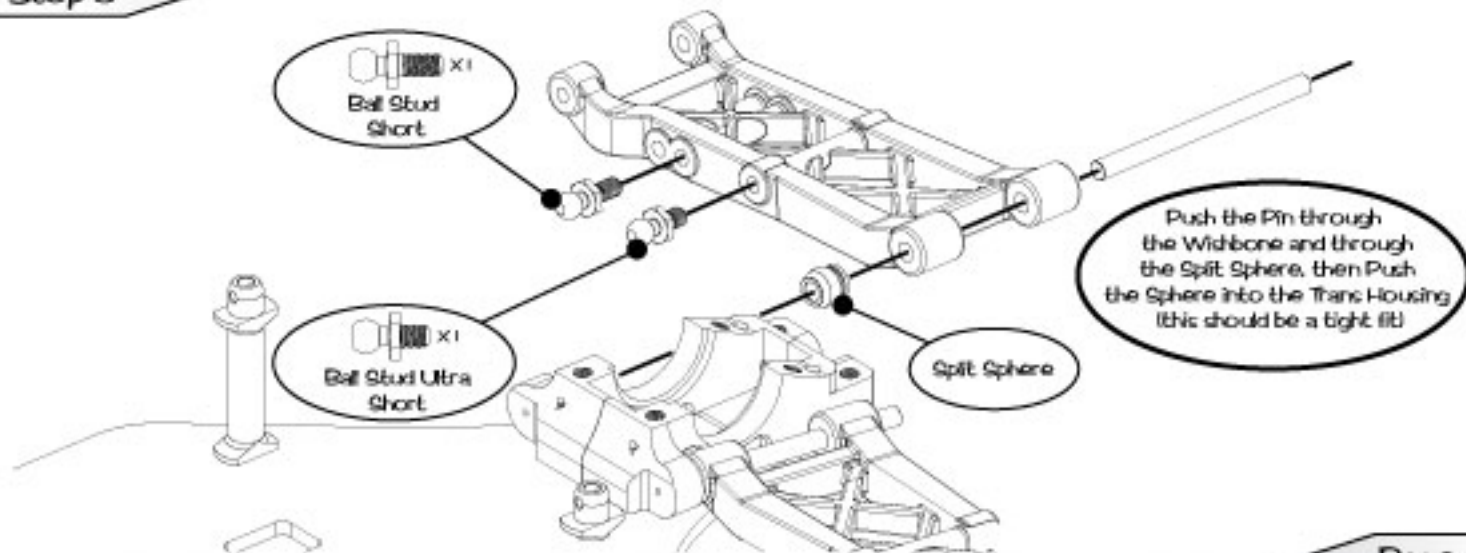
Step 1



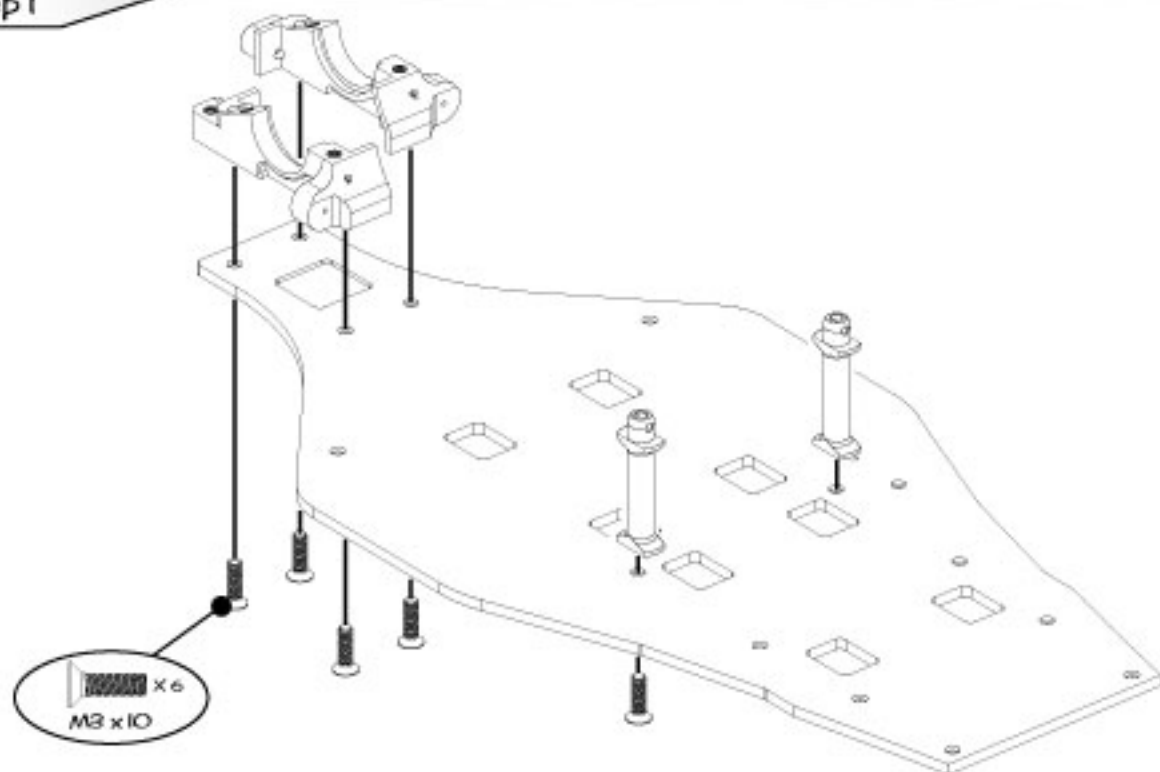
Step 2



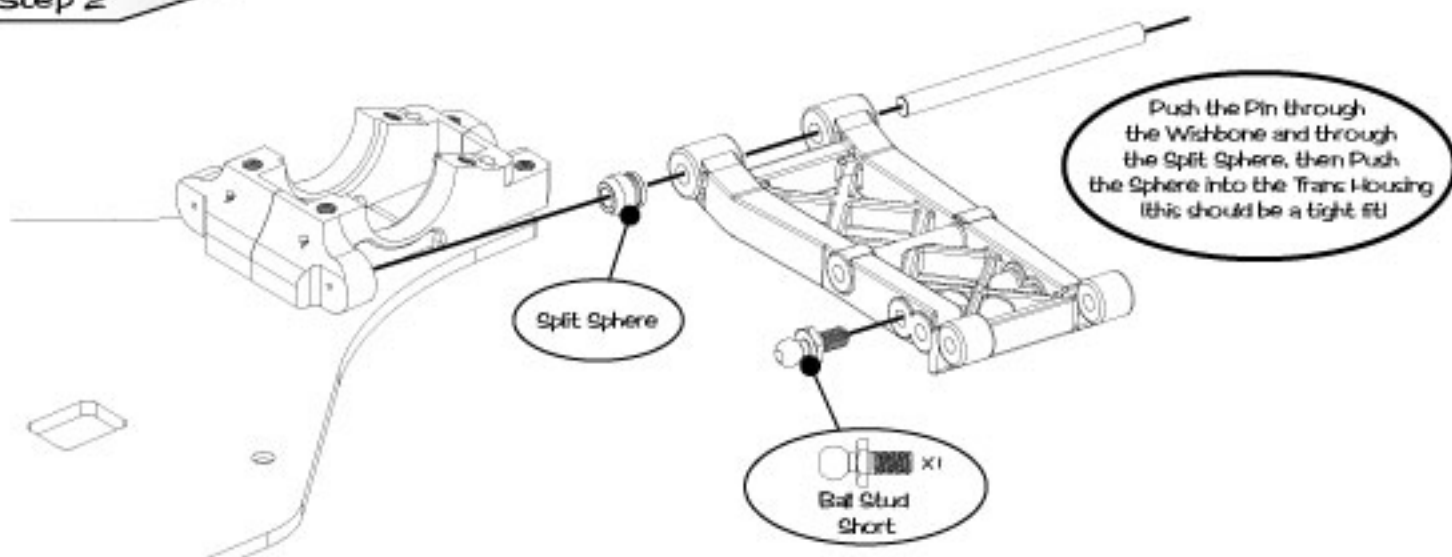
Step 3



Step 1



Step 2



Step 3

